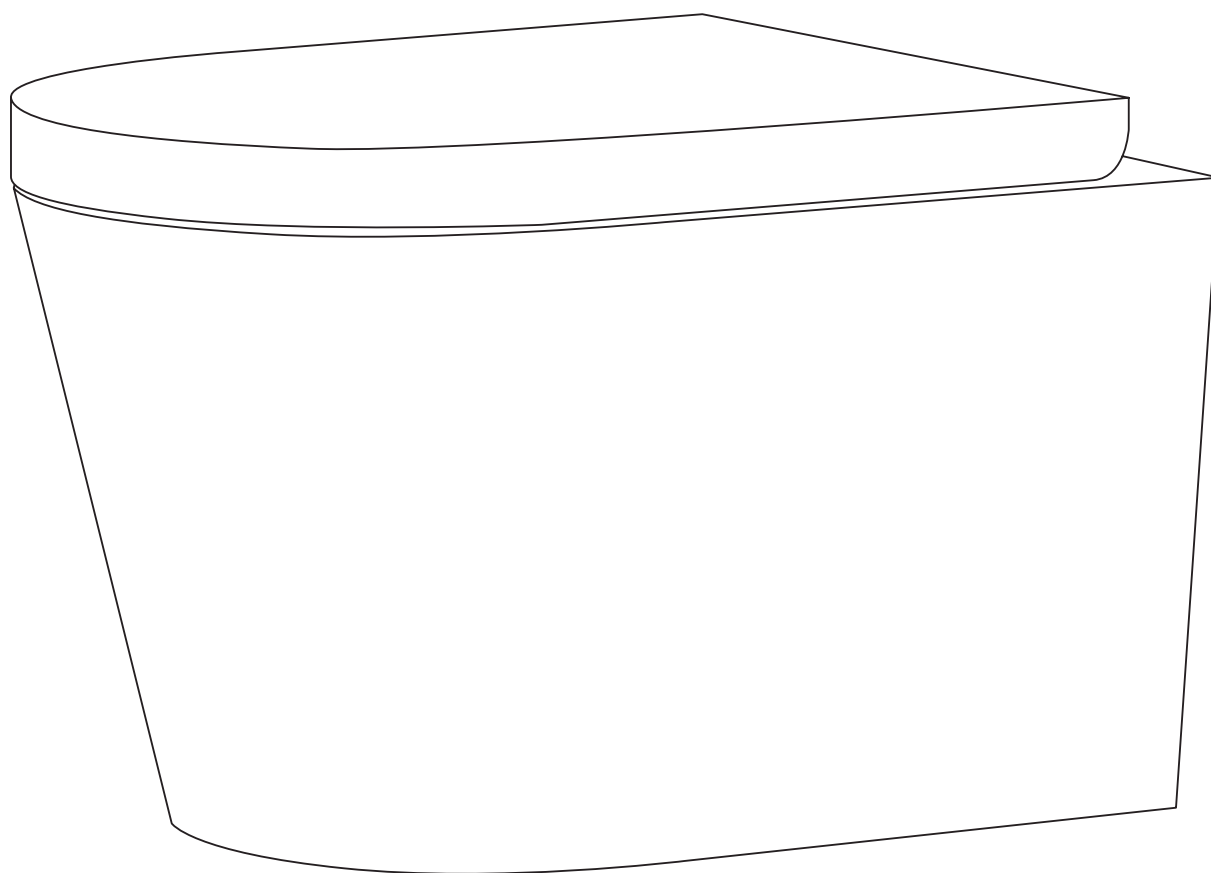


# WALL HUNG

RIMLESS TOILET



EN  
INSTALLATION  
AND CARE GUIDE

Please retain for future reference

**LUSO**



# INTRODUCTION

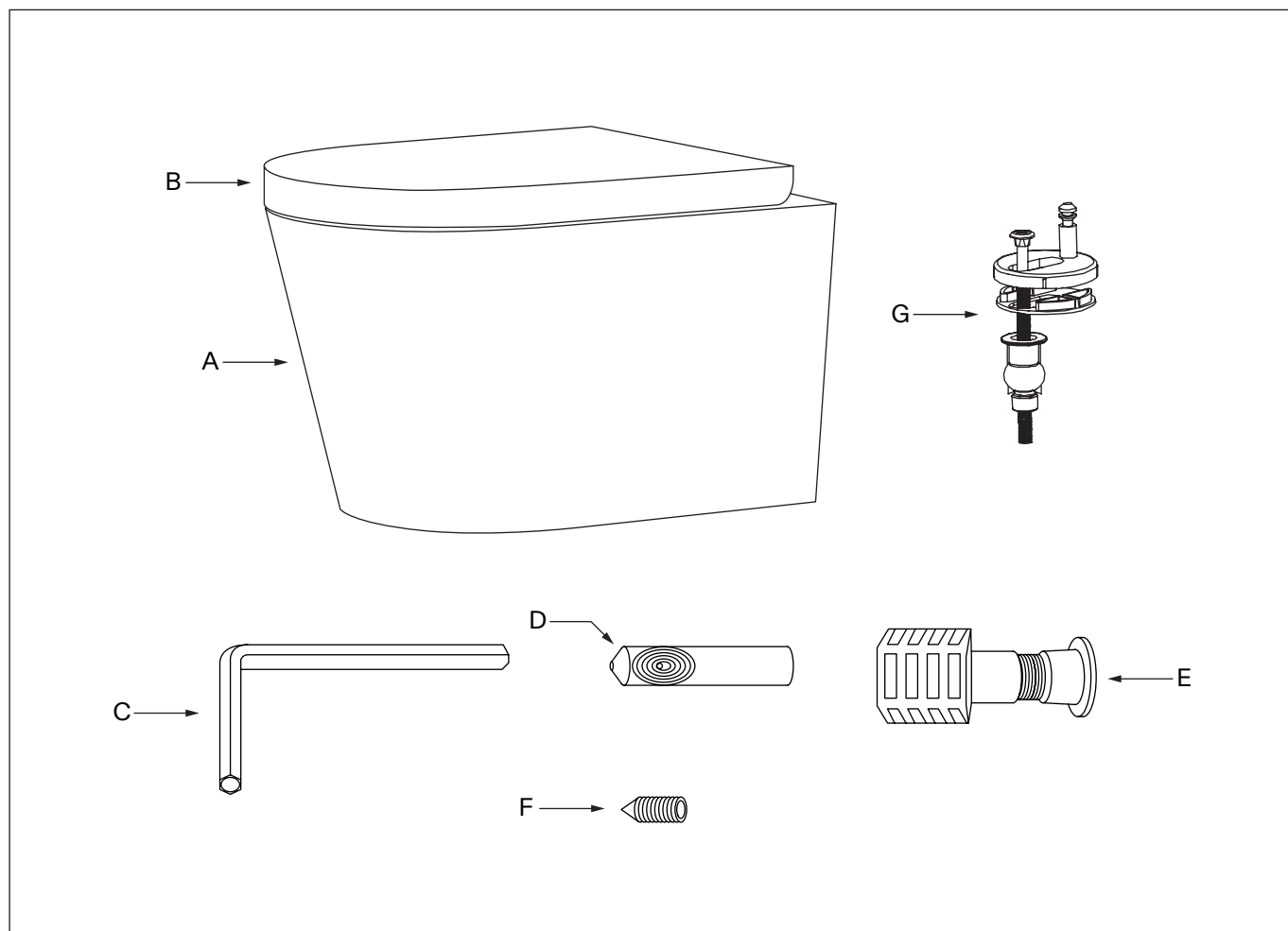
Thank you for purchasing this Wall Hung Rimless Toilet from Lusso.

Please read this guide carefully before installing, using and cleaning this product, and retain it for future reference. Please also ensure that you follow the correct installation steps based on the design you've purchased.

If you have any queries in relation to this product or guide, please contact our Customer Service team on 020 3370 4057.

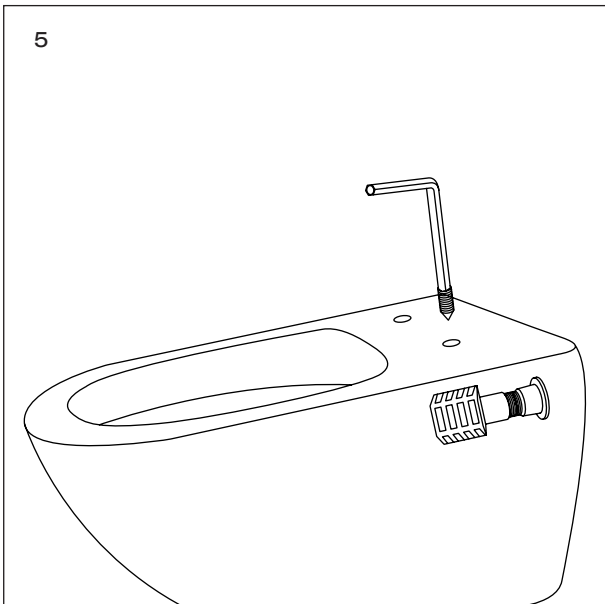
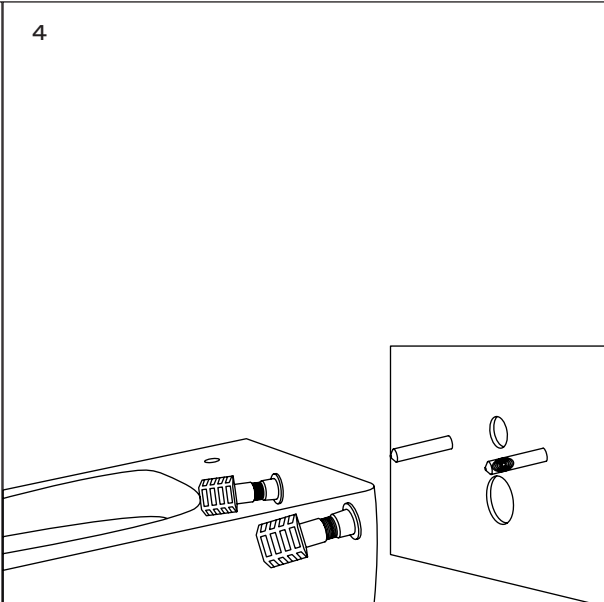
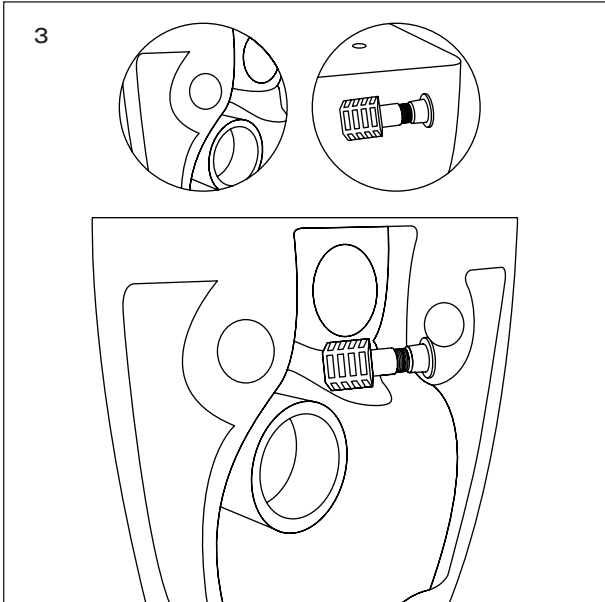
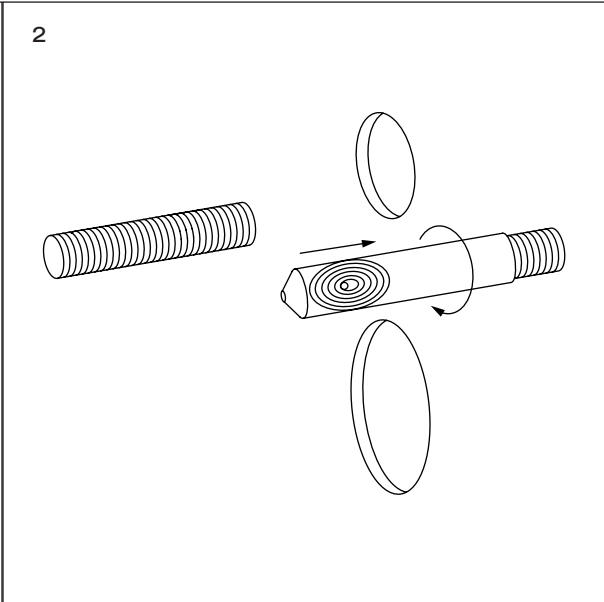
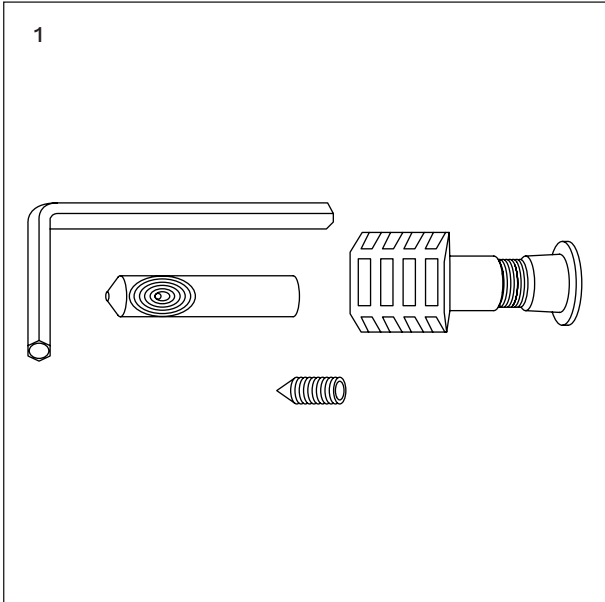
## PRODUCT KIT

- |          |                         |          |                                  |
|----------|-------------------------|----------|----------------------------------|
| <b>A</b> | Toilet Pan              | <b>E</b> | Plastic Wall Mounted Hosing (x2) |
| <b>B</b> | Toilet Seat and Cover   | <b>F</b> | Grub Screw (x2)                  |
| <b>C</b> | Allen Key               | <b>G</b> | Toilet Seat Fixings              |
| <b>D</b> | Threaded Connector (x2) |          |                                  |



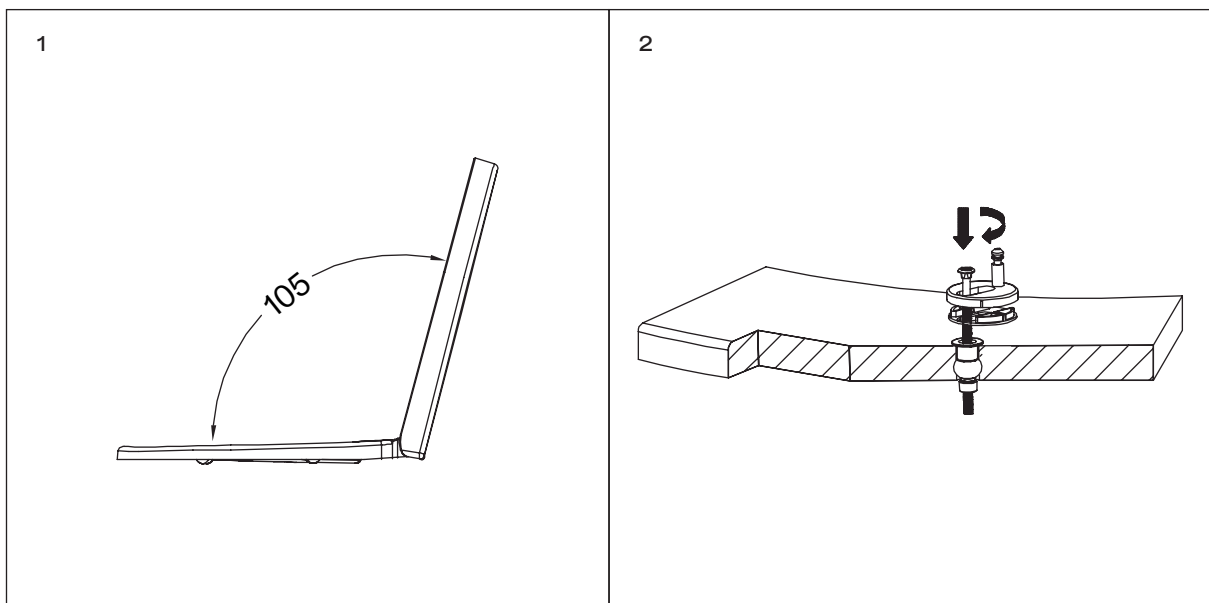
# WALL HUNG PAN INSTALLATION

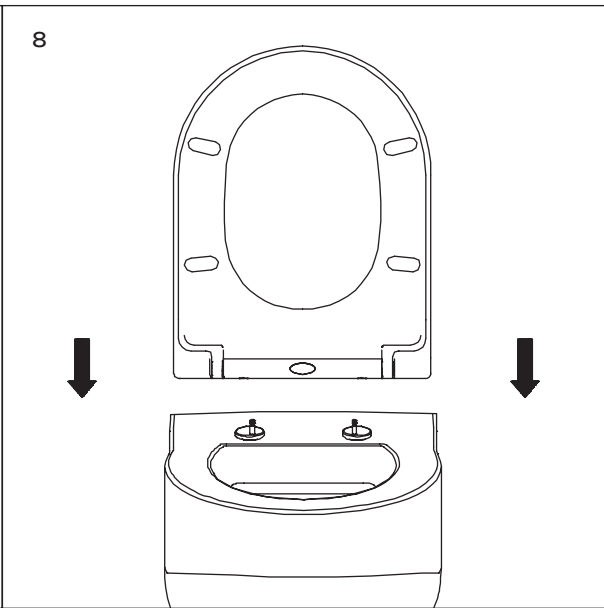
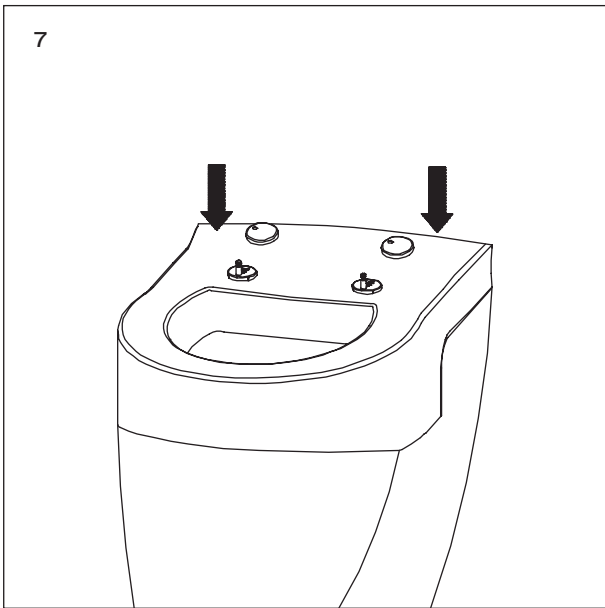
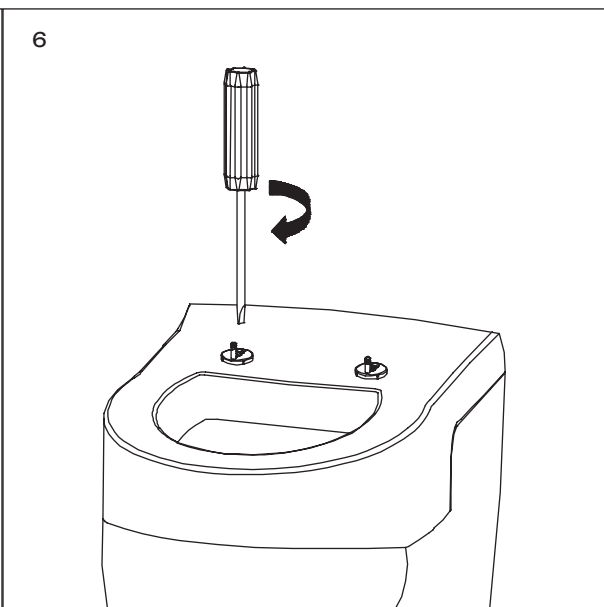
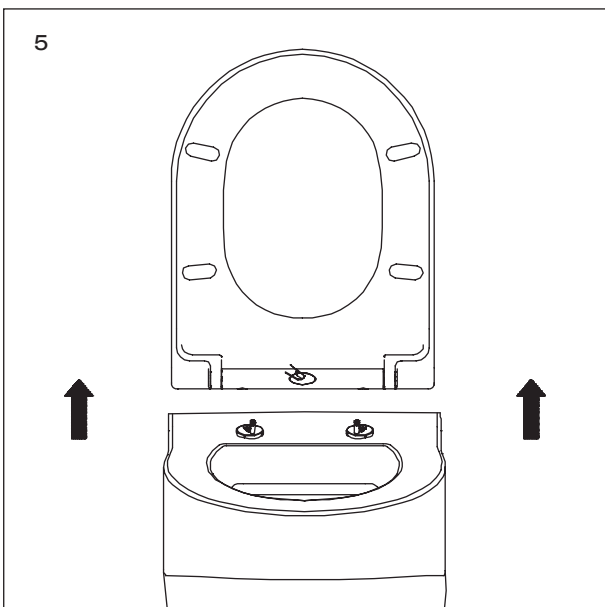
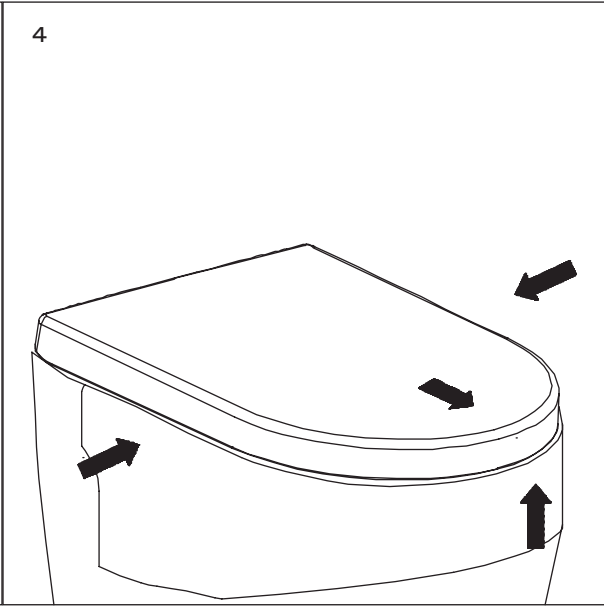
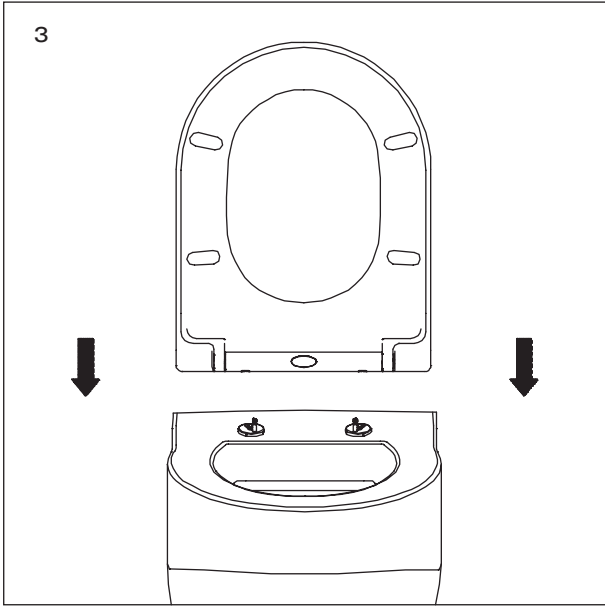
- 1** Ensure that your product kit contains all of the required fixings.
- 2** Secure the threaded connectors onto pre-installed cistern frame screws, as shown in figure 2. Please make sure the indent is in the upright position.
- 3** Unscrew and place each of the plastic wall mounted housings into the designated holes within the toilet pan, as shown in figure 3.
- 4** Mount the toilet pan onto the wall by inserting the plastic wall mounted housings into the threaded connectors and check for any adjustment needed to the threaded connectors in order to make a secure fit. Please ensure at this stage the cistern connection has been water tested.
- 5** Secure the toilet pan into position by tightening the grub screws into the plastic wall mounted housings with the allen key.



# SEAT INSTALLATION

- 1 Remove the toilet seat and lid from its packaging, taking care not to extend the lid more than 105° from the seat before it's fully installed.
- 2 Insert the hinge toilet seat fixings into the prepared holes on the toilet pan. At this stage do not fully tighten the screws or add the hinge covers.
- 3 Carefully affix the toilet seat onto the toilet pan.
- 4 Adjust the position of the seat to ensure that it's aligned with the toilet rim.
- 5 Push the button, as shown in figure 5, to temporarily remove the toilet seat, leaving the hinges in place on the toilet pan.
- 6 Tighten the screws to secure the hinges onto the toilet pan.
- 7 Cover the fixings with the provided hinge covers.
- 8 Finally, fix the seat back onto the hinges to complete the installation.





# CARE INSTRUCTIONS

To clean and maintain the flawless finish of this product, please follow the below instructions. Improper maintenance will void your product guarantee.

- ✓ Clean with a mild detergent and rinse the surface with clean water.
- ✓ Dry with a soft cloth.
- ✓ To remove surface marks, please use a neutral cleanser without coarse grained powder.
- ✓ Acidic cleansers or harsh solutions like bleach may be used only on the interior of the pan.
  
- ✗ Do not use acidic cleansers or harsh solutions like bleach on external parts of the toilet.
- ✗ Do not use abrasive cleansers or cloths.
- ✗ Do not use cleaning products in aerosol cans.
- ✗ Do not use in-tank cleaners.
- ✗ Do not use products containing chlorine (calcium hypochlorite) as they can seriously damage the tank fittings and cause leaks.

Go to [Lusso.com](https://www.lusso.com) to activate your guarantee.

# LUSO

Customer Care: 020 3370 4057

International: +44 20 3370 4057