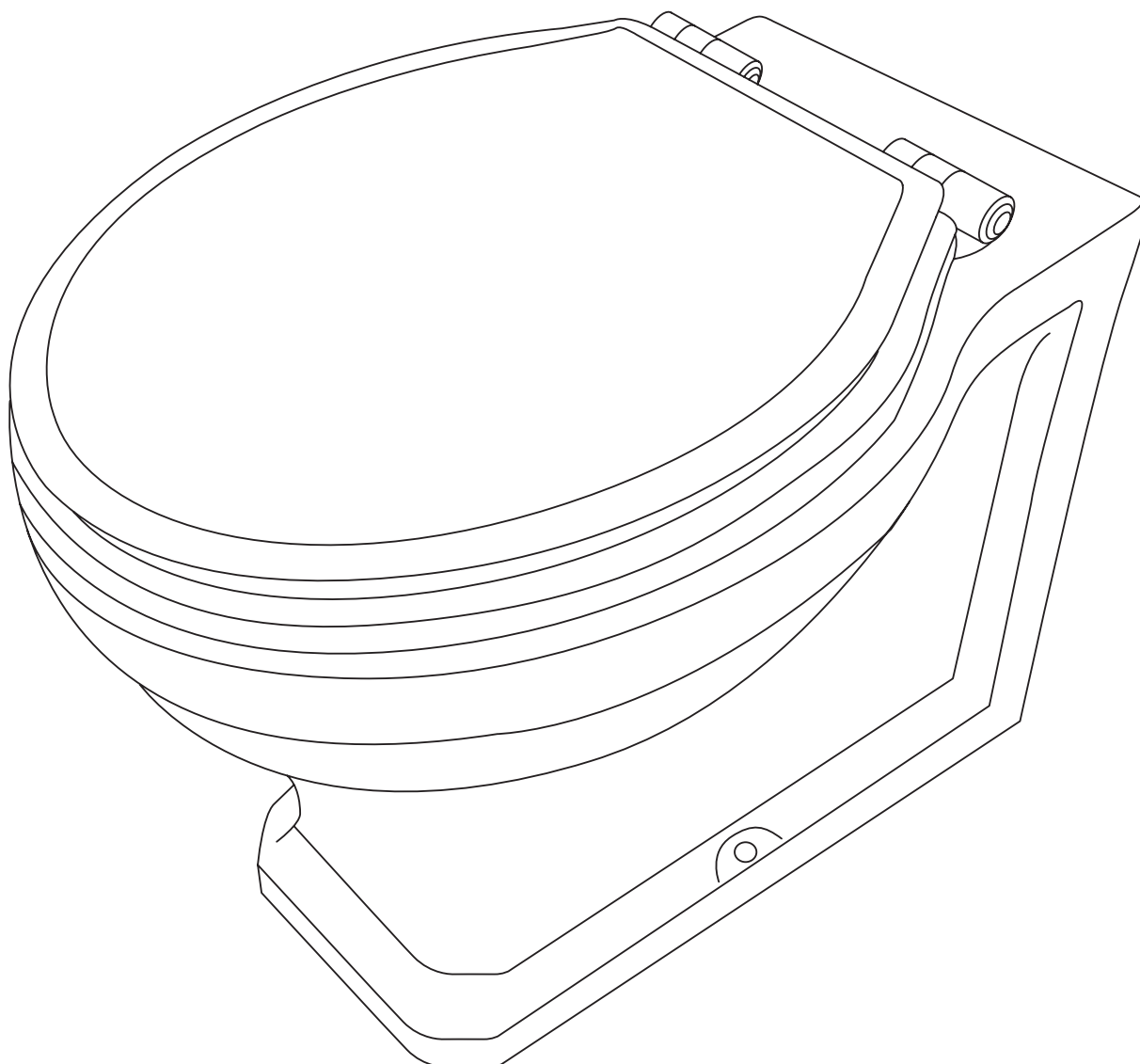


# PORTLAND

PT1-PAN/PT2-PAN  
/PT4-PAN

TRADITIONAL TOILET  
(CLOSE COUPLED/HIGH  
LEVEL/LOW LEVEL)



EN  
INSTALLATION  
AND CARE GUIDE

Please retain for future reference

# LUSO

# INTRODUCTION

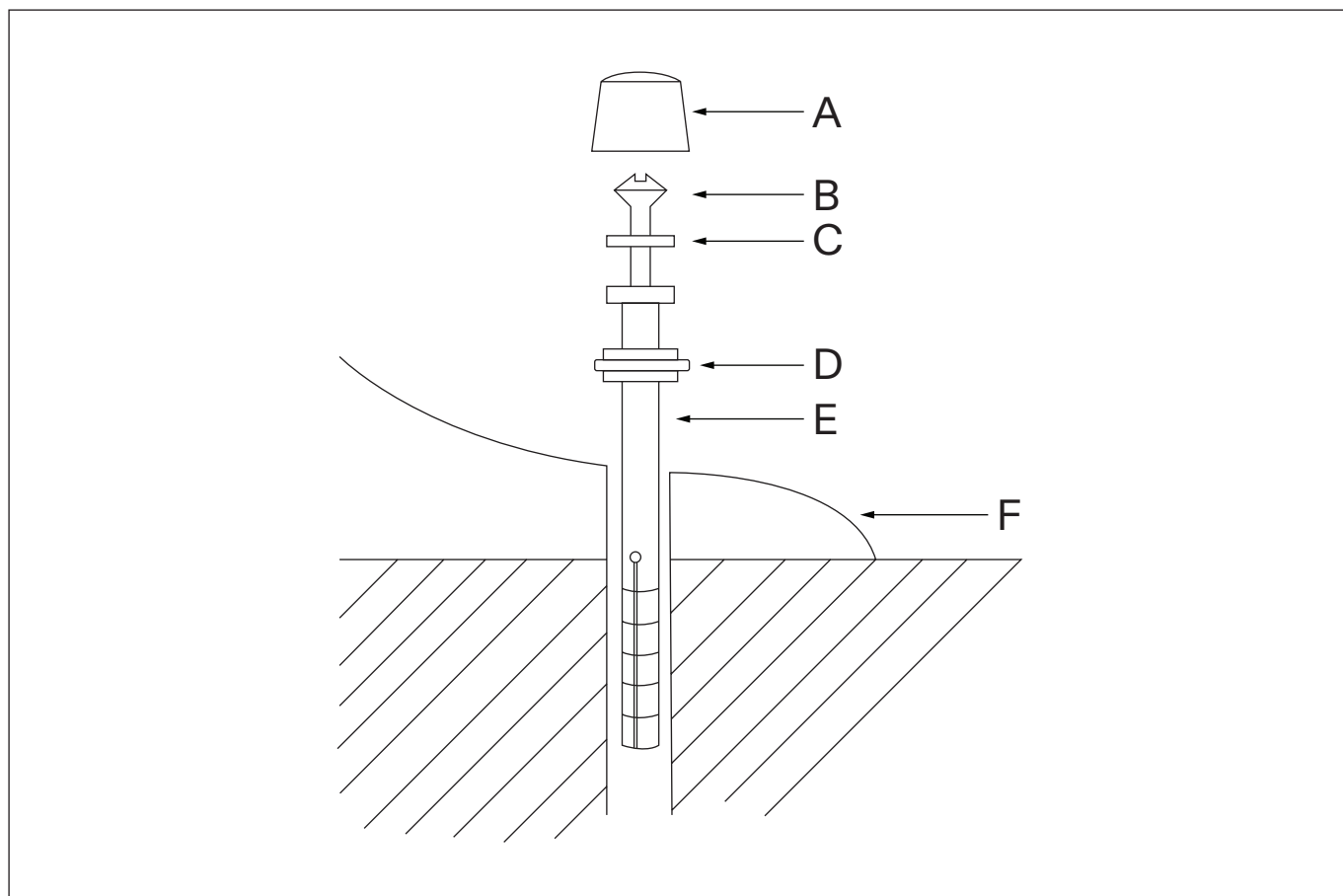
Thank you for purchasing the Portland Traditional Toilet.

Please read this guide carefully before installing, using and cleaning this product, and retain it for future reference.

If you have any queries in relation to this product or guide, please contact our Customer Service team on 020 3370 4057.

## PRODUCT KIT

- A** Decorative Caps (x2)
- B** Fixing Screws (x2)
- C** Washers (x2)
- D** Plastic Washers (x2)
- E** Floor Plugs (x2)
- F** Toilet Pan

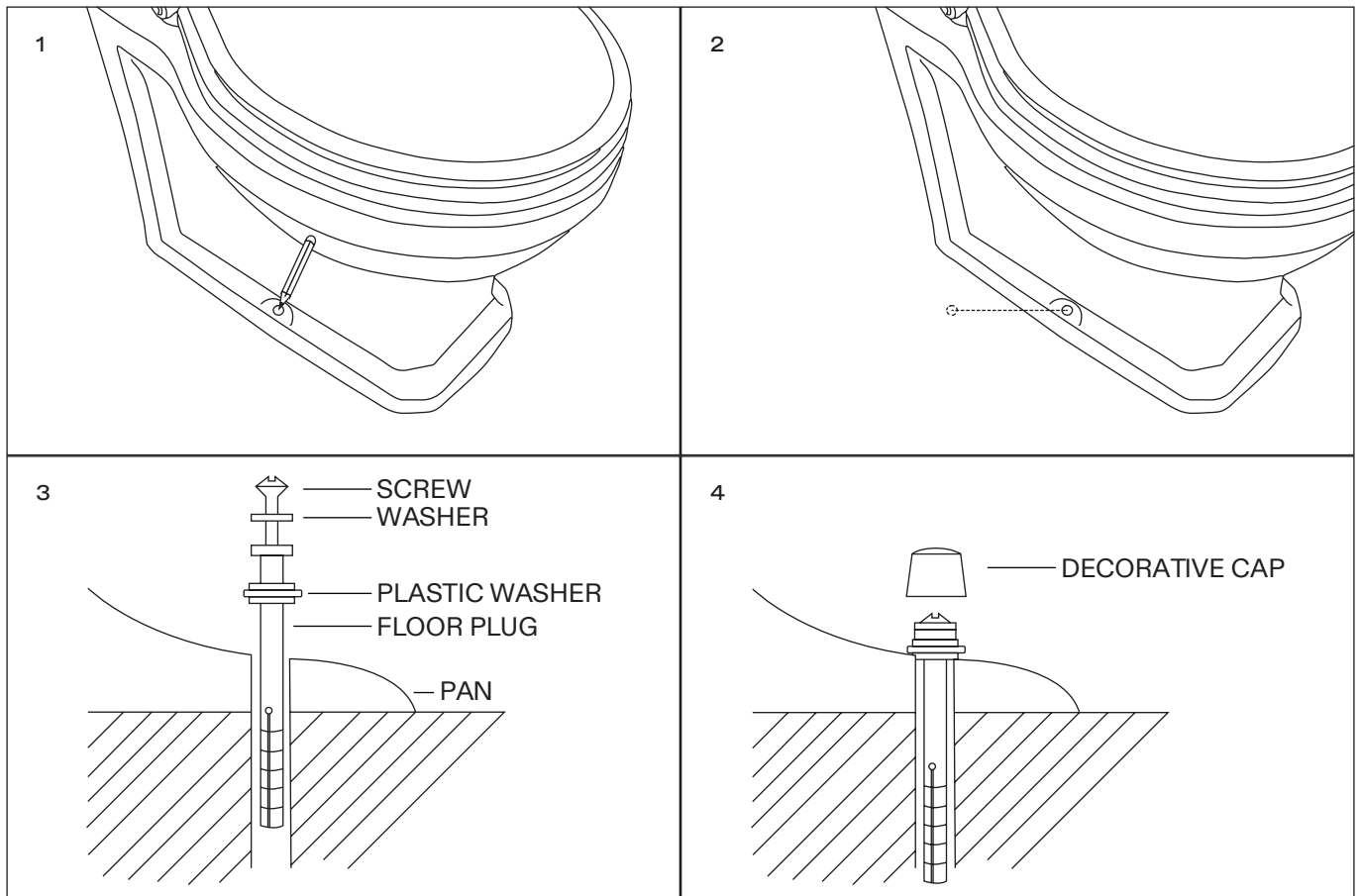


# INSTALLATION STEPS

Before installation, please ensure that all parts are supplied, and that the installation area is level.

We recommend that this toilet is installed by a fully qualified plumber.

- 1 If installing the toilet onto concrete flooring, temporarily place the toilet pan into position, mark the location of the fixing holes onto the floor. Next, move the toilet aside before drilling the holes using an electric drill, then insert floor plugs. For wooden flooring, you should skip this step.
- 2 Next, reposition the toilet pan onto the level installation area, and align it with the drilled holes.
- 3 Put the washers in place over the holes in the toilet pan base, and secure into position with the fixing screws.
- 4 Finally, ensure that the toilet pan is secure then place the decorative caps over the fixing screws.



# CARE INSTRUCTIONS

To clean and maintain the flawless finish of this product, please follow the below instructions. Improper maintenance will void your product guarantee.

- ✓ Rinse the surface with clean water.
- ✓ Dry with a soft cloth.
- ✓ To remove surface marks, please use a neutral cleanser without coarse grained powder.
  
- ✗ Do not use acidic cleansers.
- ✗ Do not use abrasive cleansers or cloths.

Go to [Lusso.com](https://Lusso.com) to activate your guarantee.

# LUSO

Customer Care: 020 3370 4057

International: +44 20 3370 4057