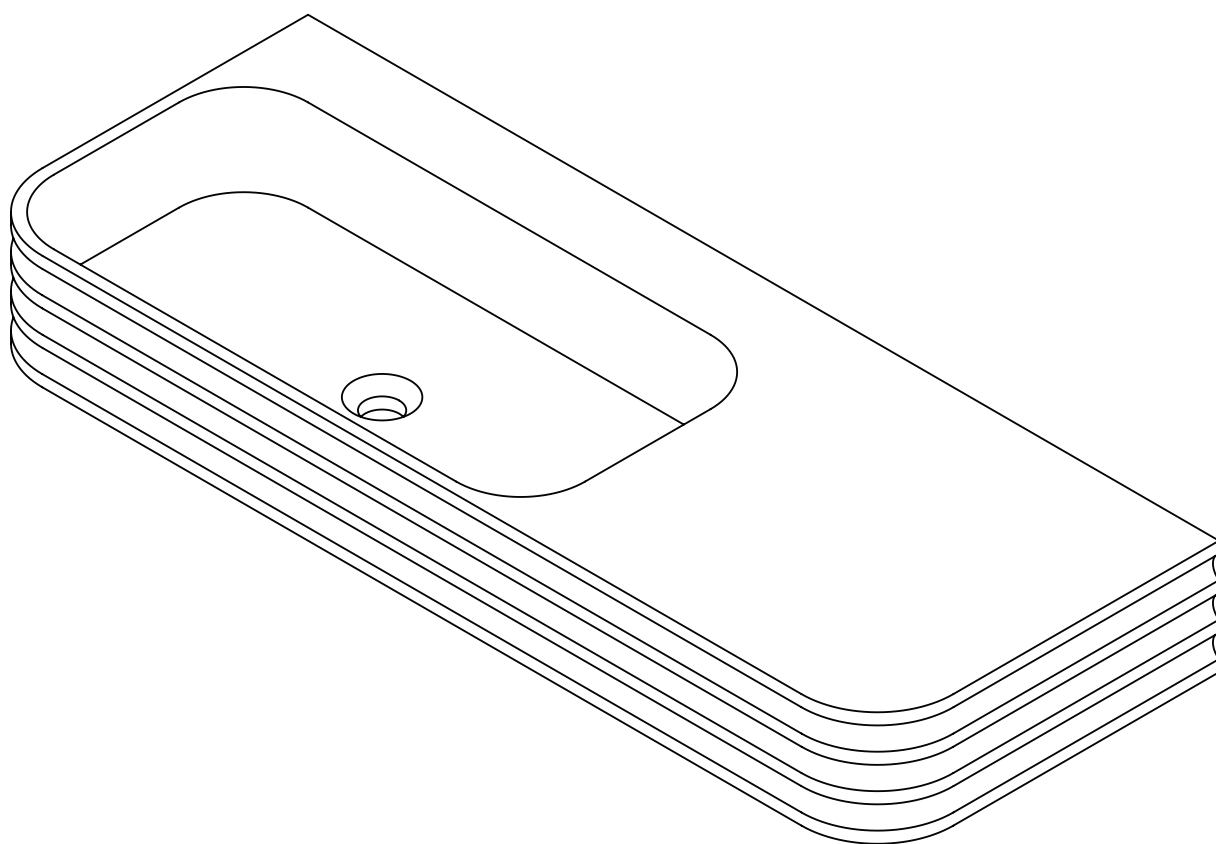


CORTESE®

STONE WALL HUNG BASIN



EN
INSTALLATION
AND CARE GUIDE

Please retain for future reference

LUSO

INTRODUCTION

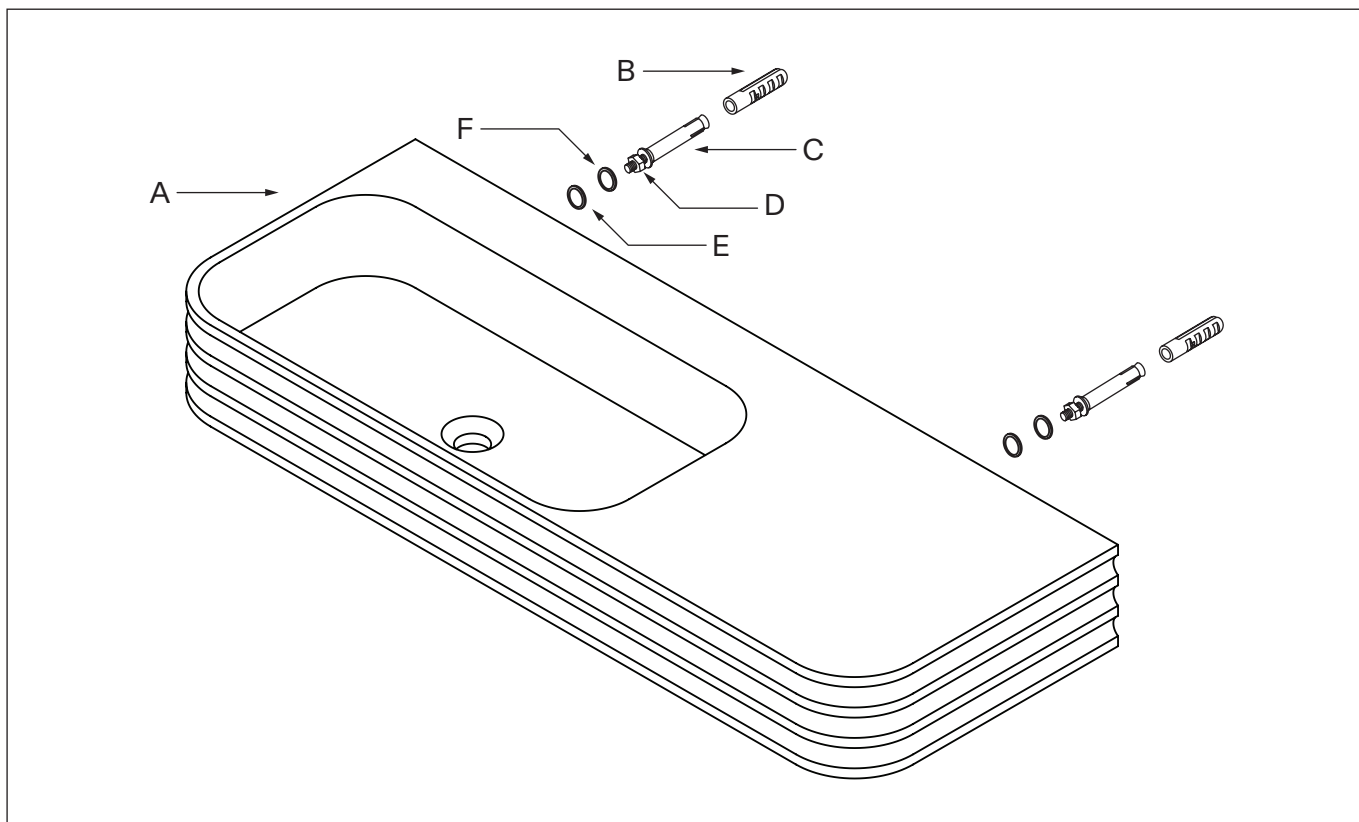
Thank you for purchasing this Cortese® Stone Wall Hung Basin.

Please read this guide carefully before installing, using and cleaning this product, and retain it for future reference.

If you have any queries in relation to this product or guide, please contact our Customer Service team on 020 3370 4057.

PRODUCT KIT

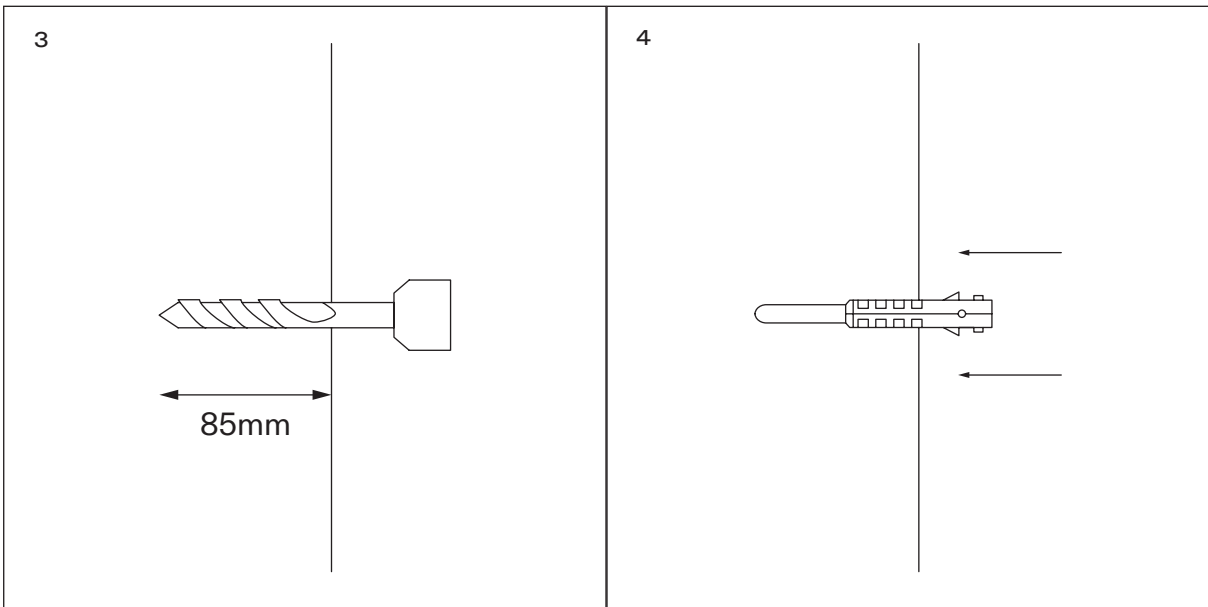
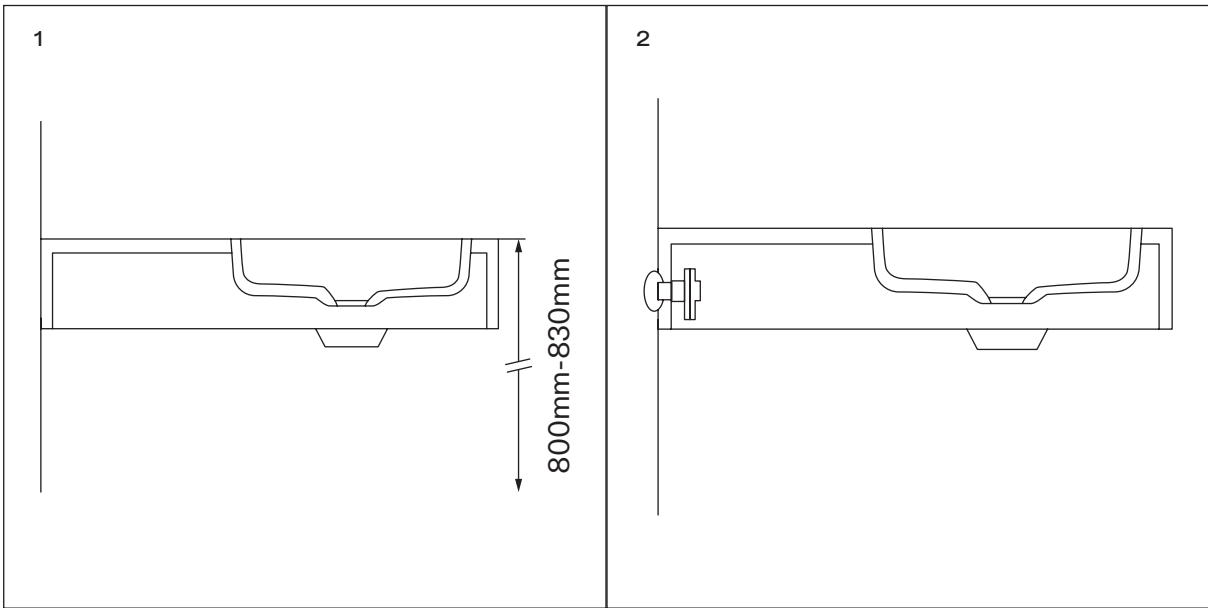
- A Stone Basin
- B Wall Plugs (x2)
- C Fixing Bolts (x2)
- D Metal Nuts (x2)
- E Metal Washers (x2)
- F Plastic Washers (x2)



INSTALLATION STEPS

Before installation, please note that this basin is designed for wall mounting only, and we recommend that it is installed by a fully qualified plumber.

- 1** Mark out the installation height and the centre line of the basin on the designated wall at the recommended height as shown (for AS1428.1 compliance, this must be a distance of between 800-830mm from the floor to the top surface of the front of the basin). Next, prepare the water inlet and outlet connections.
- 2** Hold the basin against the wall in the installation position according to the centre line, and ensure that it's flat and centre before marking the position of the fixing holes on the wall.
- 3** Put the basin to one side, and using an electric drill with a 14mm masonry drill bit, drill the two fixing holes into the wall to a depth of 85mm.
- 4** Push the provided wall plugs into each hole.

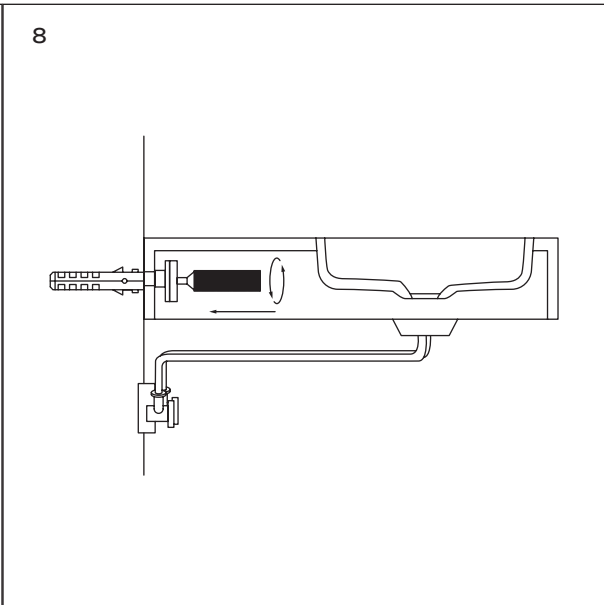
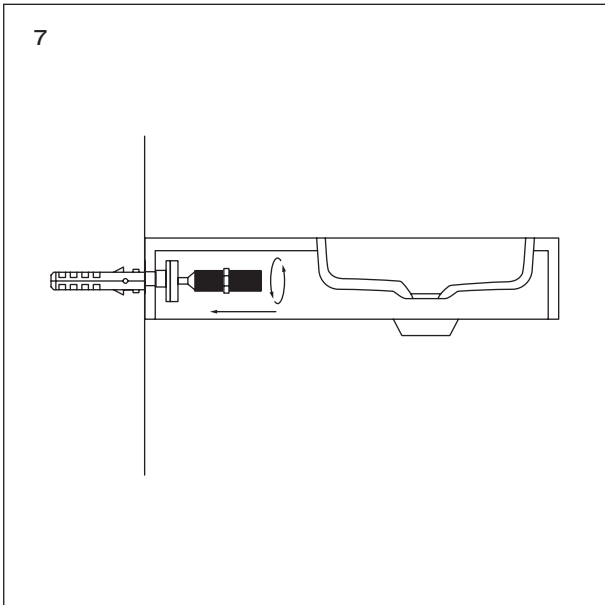
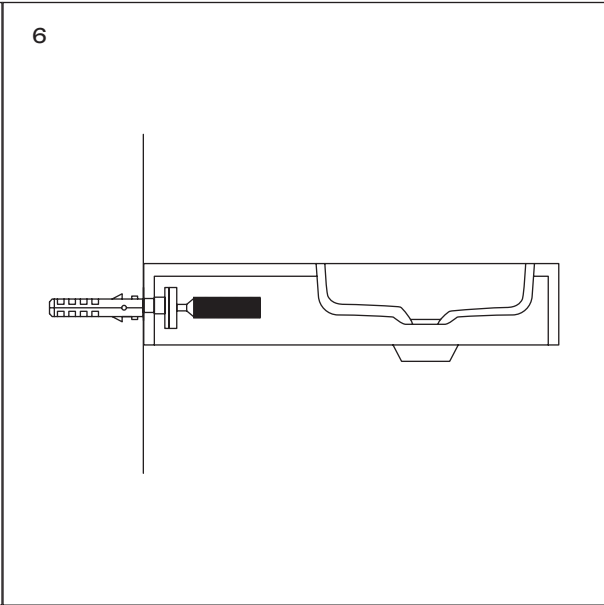
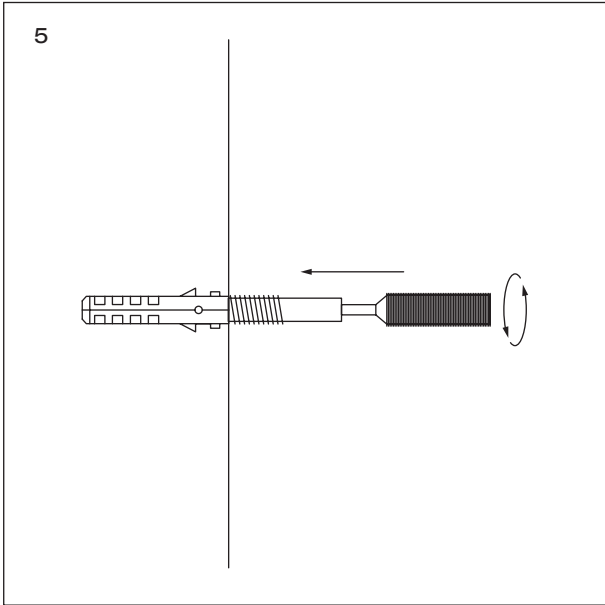


CONTINUED OVERLEAF

INSTALLATION STEPS

(CONTINUED)

- 5** Using an 8mm spanner, screw a fixing bolt into each of the wall plugs and ensure that each bolt is securely in position before moving onto the next step.
- 6** Return the basin to its position against the wall, threading the fixing bolts through the holes in the rear of the basin. Next, carefully add a plastic washer followed by a metal washer onto each of the fixing bolts.
- 7** To secure the basin into position, screw a metal nut onto each fixing bolt - take care not to over-tighten the nuts as this may damage the stone basin surface.
- 8** Finally, install the tapware and waste plug according to the manufacturer's instructions, and then connect the drainage pipes and water supply, ensuring that the hot water and cold water pipes are connected according to the tapware markings.



CARE INSTRUCTIONS

To clean and maintain the flawless finish of this product, please follow the below instructions. Improper maintenance will void your product guarantee.

- ✓ Clean the basin immediately after use using warm water and a neutral detergent.
- ✓ Dry with a soft cloth.
- ✓ Remove scratches and stains with a polishing kit for polished stone basins, or a wet and dry sandpaper pad for matte stone basins.

- ✗ Do not use acidic or abrasive cleansers.
- ✗ Do not clean with a concentrated bleach or shampoo.
- ✗ Do not use scouring pads or other abrasive cleaning tools.

Go to Lusso.com to activate your guarantee.

LUSO

Customer Care: 020 3370 4057

International: +44 20 3370 4057