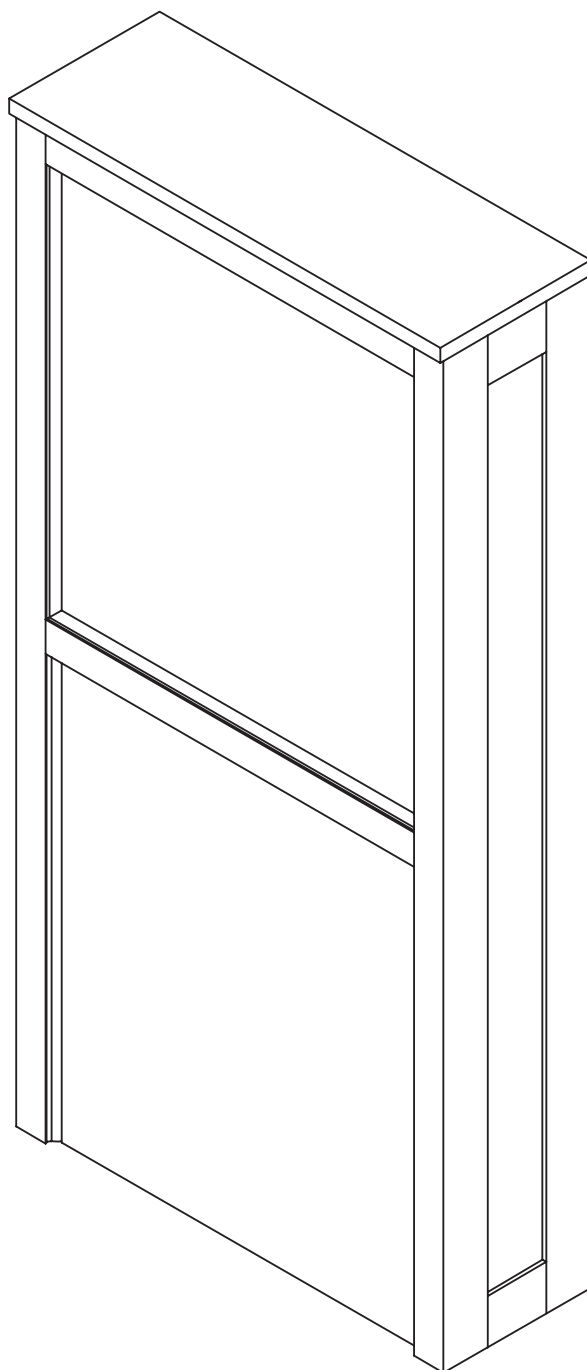


CLARIDGE

LS-DECOTCW/
LS-DECOTC-CT

WC CISTERN HOUSING



EN
INSTALLATION
AND CARE GUIDE

Please retain for future reference

LUSO

INTRODUCTION

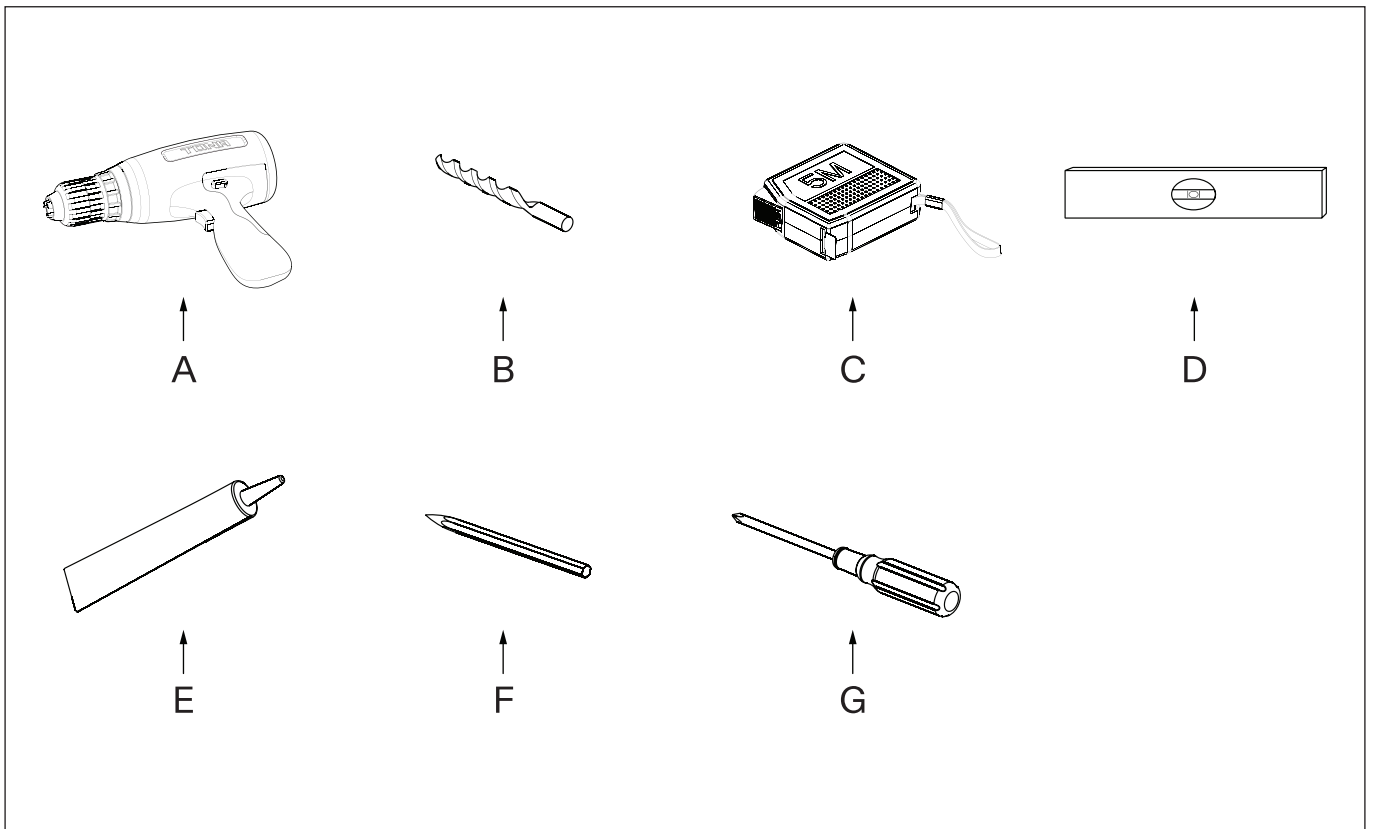
Thank you for purchasing the Claridge WC Cistern Housing.

Please read this guide carefully before installing, using and cleaning this product, and retain it for future reference.

If you have any queries in relation to this product or guide, please contact our Customer Service team on 020 3370 4057.

REQUIRED TOOLS

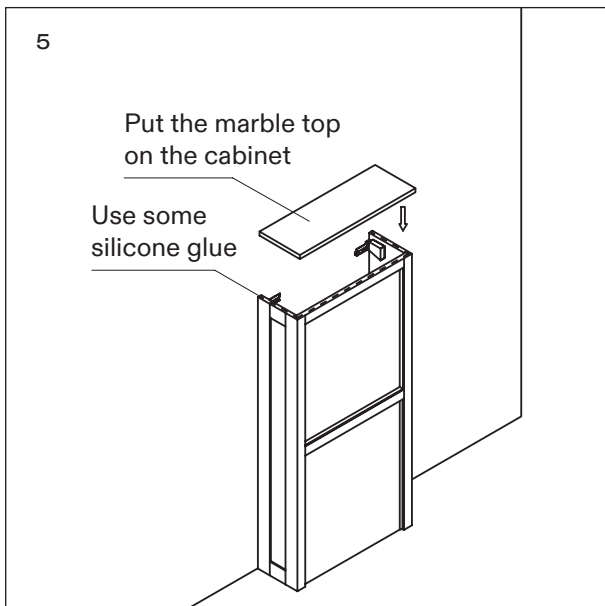
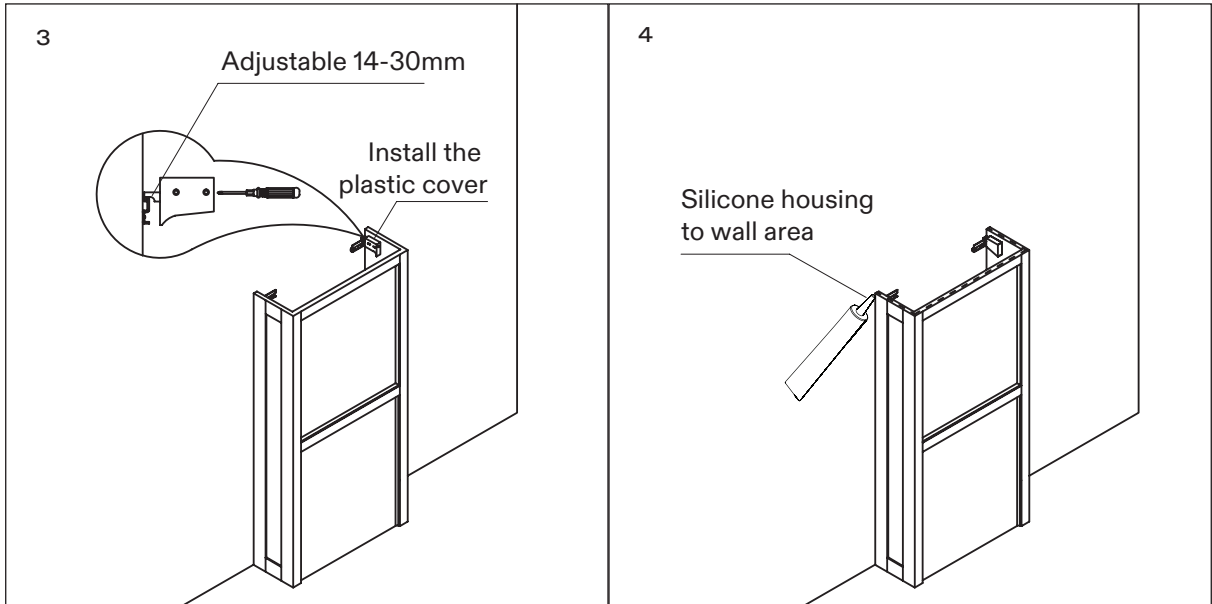
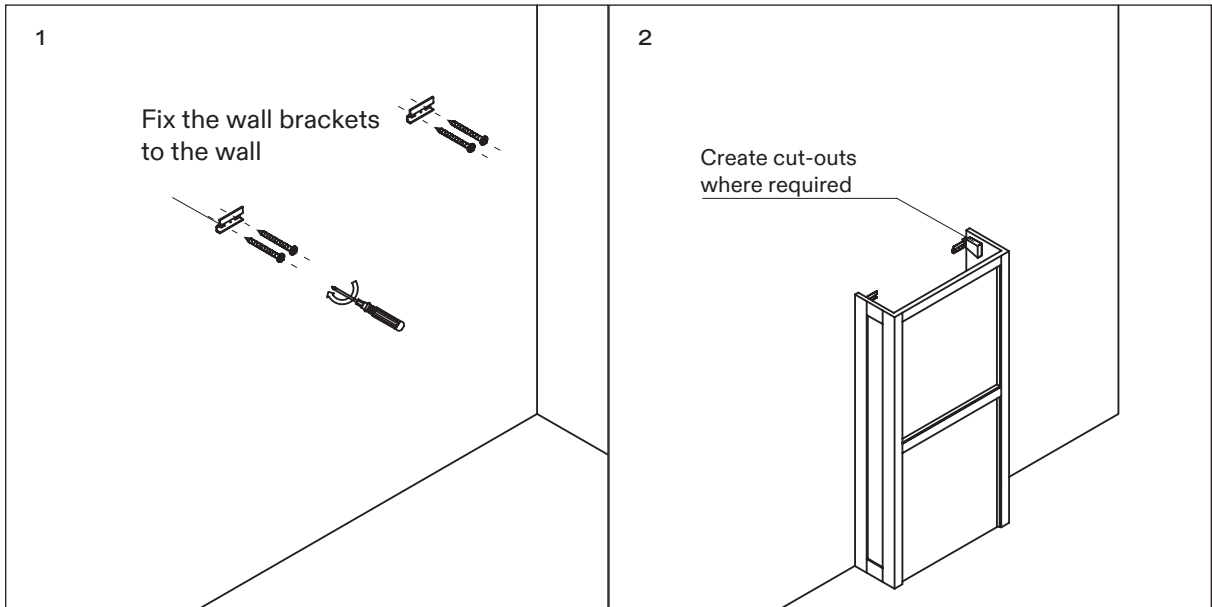
- A** Electric/Battery Drill
- B** Drill Bit
- C** Tape Measure
- D** Spirit Level
- E** Kitchen & Bathroom Non-Acidic Silicone
- F** Pencil
- G** Screwdriver



INSTALLATION STEPS

Before installation, please note that this product is only suitable for use with back to wall toilets.

- 1** Using a spirit level and pencil, mark the desired position of the wall brackets before drilling the required holes and securing the brackets into place with the provided fixings.
- 2** Carefully remove the cistern housing from its packaging, and create cutouts to accommodate plumbing and other components as needed.
- 3** Place the cistern housing into the desired position, and check that it's level before securing into place with the provided fixings. In some instances, packers may also be required to ensure the cistern housing remains level.
- 4** Before installing the top of the housing, apply non-acidic kitchen and bathroom silicone as shown in figure 4.
- 5** Next, using the same sealant, seal along the back edge of the top of the unit, and down the sides against the wall.



CARE INSTRUCTIONS

To clean and maintain the flawless finish of this product, please follow the below instructions. Improper maintenance will void your product guarantee.

- ✓ Rinse the surface with clean water.
- ✓ Dry with a soft cloth.
- ✓ To remove surface marks, please use a neutral cleanser without coarse grained powder.

- ✗ Do not use acidic cleansers.
- ✗ Do not use abrasive cleansers or cloths.

Go to Lusso.com to activate your guarantee.

LUSO

Customer Care: 020 3370 4057

International: +44 20 3370 4057