

PRODUCT IDENTIFICATION

Product Name	Regal Crosshead Wall Mounted Basin Mixer Tap
Model Number	CRS014
Brand	Lusso
Product Category	Taps

INFORMATION

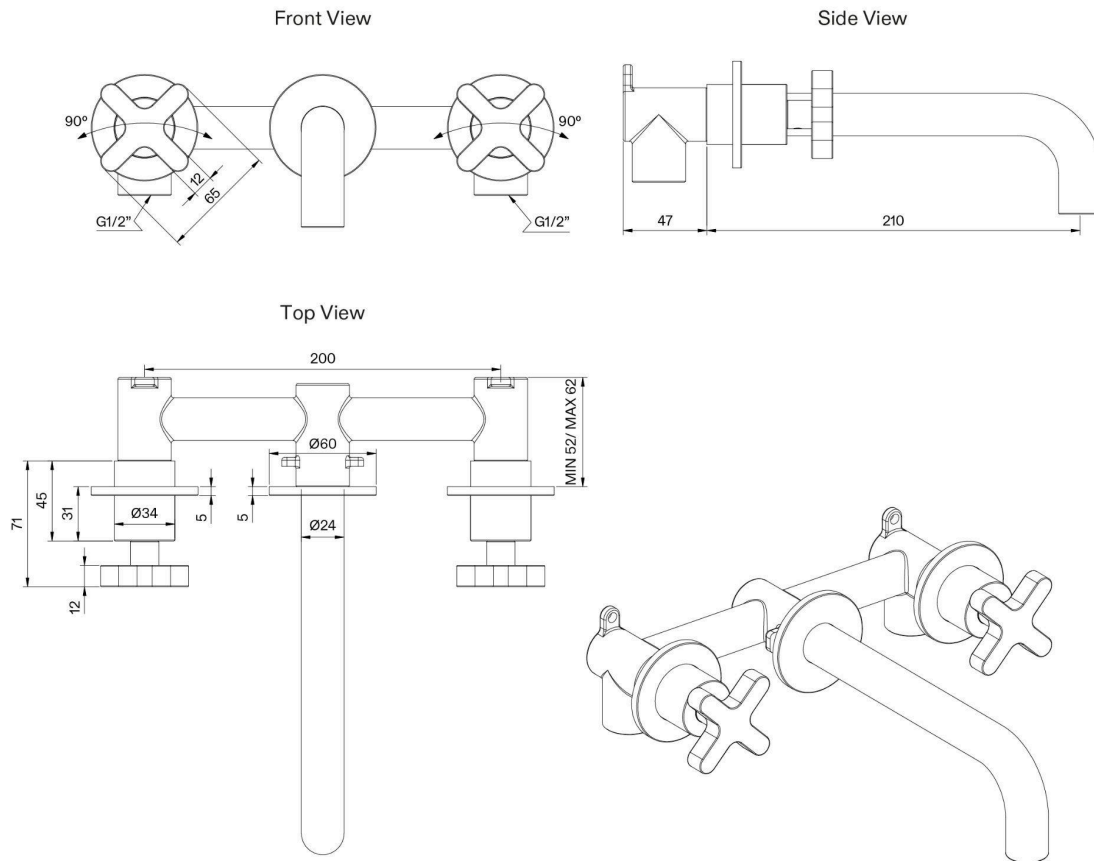
Construction	Brass Construction
Mount Type	Wall Mounted
Cartridge	Sedal
Valve Inlet	G ½"
Valve Outlet	G ½"
Working Pressure	1.0 - 5.0 Bar
Operating Temperature	1°C - 90°C
Supply	Suitable For: Pumped Gravity Systems, Combi Boiler Systems, Unvented Systems, Balanced Systems

Open Outlet Flow (Bar-L/min)

Bar	1	1.5	2	2.5	3	3.5	4	5
Spout Flow	/	9.6	10.9	12.6	14	15.4	16.6	/

COMPLIANCE STATEMENT

- Please note: The flow rate will be dictated by the installation configuration.



LUSSO	Product Name	Regal Crosshead Series
	Product Type	Wall Mounted Basin Tap

All dimensions provided in millimeters.

Lusso Stone Limited
 Address: Lusso House, Princeton Drive,
 Stockton on Tees, United Kingdom,
 TS17 6AJ
 Contact Email: customerservice@lusso.com
 Website: www.lusso.com

Responsible Person EU (GPSR)
 Name: eucomply@eu.com
 Address: Pärnu mnt. 139b – 14, 11317 Tallinn, Estonia
 Contact Email: hello@eucompliancepartner.com
 Website: www.eucompliancepartner.com
 Phone: +33757690241